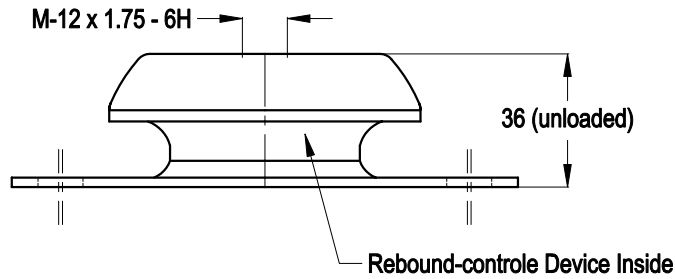
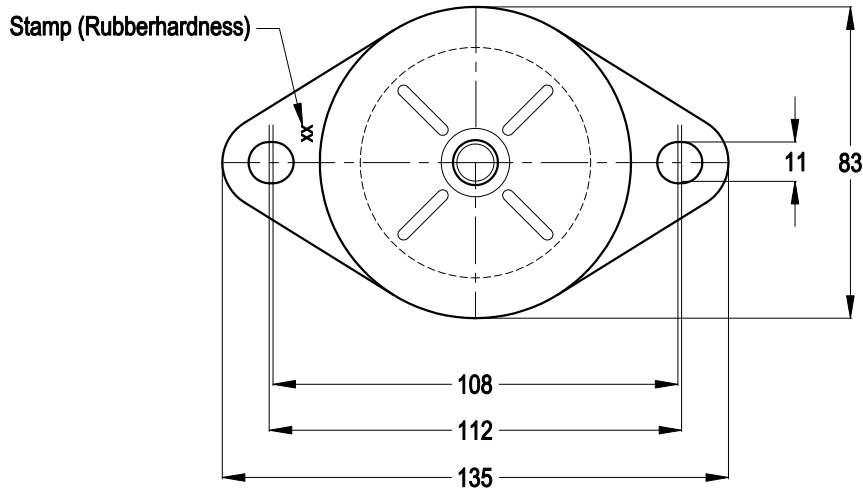


# SIDEVIEW



# TOPVIEW



		MATERIAL: METAL/RUBBER		NR. 1	REMARKS: -				
		TITLE: <b>Top Mounting</b>				OVER. TOL. ± 0.5	ANGULARITY ± 0.5	ROUGHNESS 3.2 ✓	
		TYPE: <b>100230 serie</b>				ALL RIGHTS STRICTLY PRESERVED. REPRODUCTION OR ISSUE TO THIRD PARTIES IS NOT PERMITTED WITHOUT WRITTEN AUTHORITY OF GUMETA TECHNIEK B.V.			
1		-							
REV.	DATE	REMARKS							
SCALE: N.A.		DIMENSIONS IN MM.		<b>MOTORSTEUNEN.NL</b> <b>ENGINEMOUNTS.NL</b>		PROJECTION: 		FORMAT: A4	
DRW.	M.S.	DATE 12/04/12				DRAWING NR. 100230		REV. 0	
CHK.	H.K.	DATE 12/04/12							