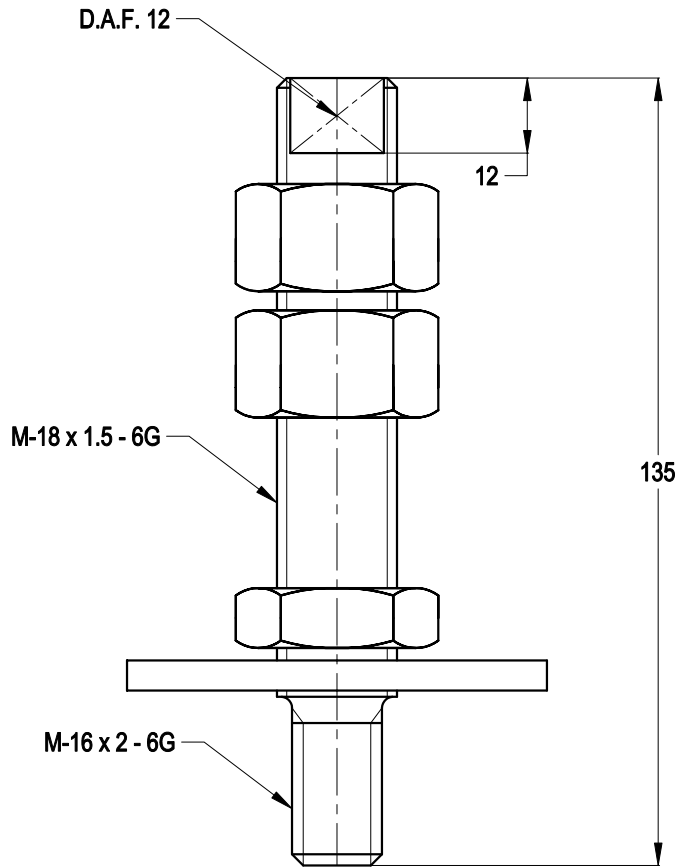


SIDEVIEW



			MATERIAL: METAL	NR. 1	REMARKS: -
			TITLE: Height Adjustment Unit M16-M18-F	OVER. TOL. ± 0.5	ANGULARITY ± 0.5
			TYPE: 700013	ROUGHNESS 3.2 ✓	
1		-		ALL RIGHTS STRICTLY PRESERVED. REPRODUCTION OR ISSUE TO THIRD PARTIES IS NOT PERMITTED WITHOUT WRITTEN AUTHORITY OF GUMETA TECHNIEK B.V.	
REV.	DATE	REMARKS			
SCALE: N.A.		DIMENSIONS IN MM.	MOTORSTEUNEN.NL		PROJECTION:
DRW.	M.S.	DATE 06/02/12	ENGINEMOUNTS.NL		FORMAT: A4
CHK.	H.K.	DATE 06/02/12	DRAWING NR. 700013		REV. 0