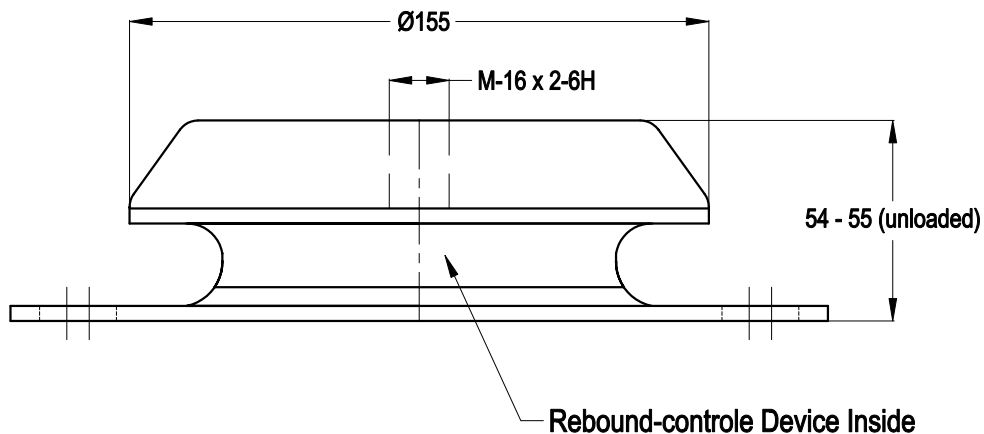
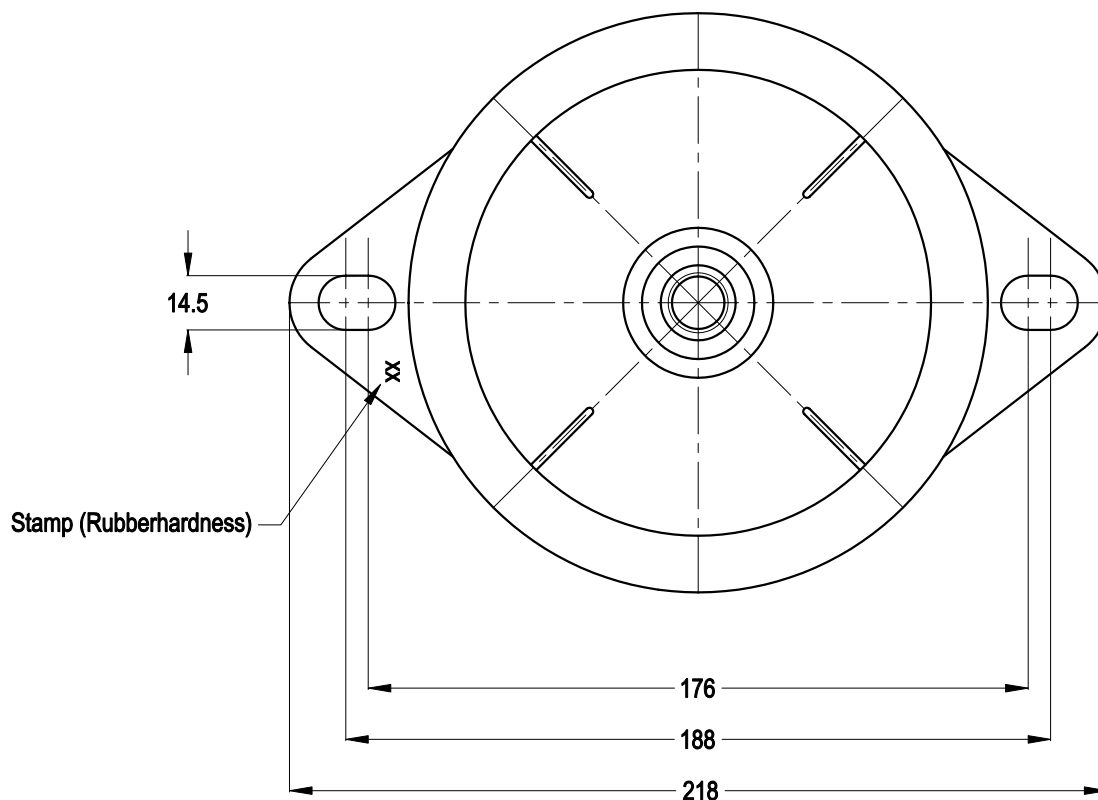


# SIDE-VIEW



# TOP-VIEW



		MATERIAL: METAL/RUBBER		NR. 1	REMARKS: -			
		TITLE: <b>Top Mounting</b>			OVER. TOL. ± 0.5	ANGULARITY ± 0.5	ROUGHNESS 3.2 ✓	
		TYPE: <b>100250 serie</b>			ALL RIGHTS STRICTLY PRESERVED. REPRODUCTION OR ISSUE TO THIRD PARTIES IS NOT PERMITTED WITHOUT WRITTEN AUTHORITY OF GUMETA TECHNIEK B.V.			
1		-						
REV.	DATE	REMARKS						
SCALE: N.A.		DIMENSIONS IN MM.		<b>MOTORSTEUNEN.NL</b> <b>ENGINEMOUNTS.NL</b>		PROJECTION: 		FORMAT: A4
DRW.	M.S.	DATE	12/04/12			DRAWING NR. 100250		REV. 0
CHK.	H.K.	DATE	12/04/12					