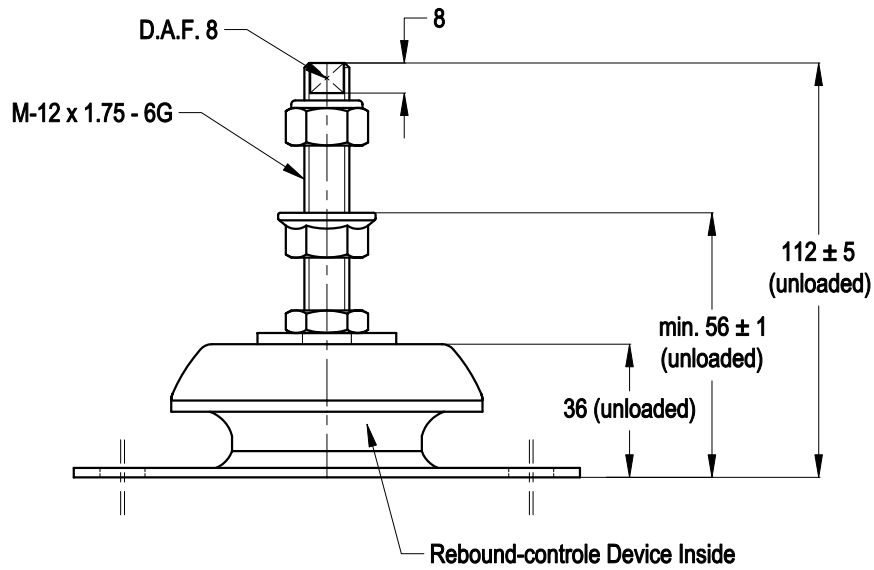
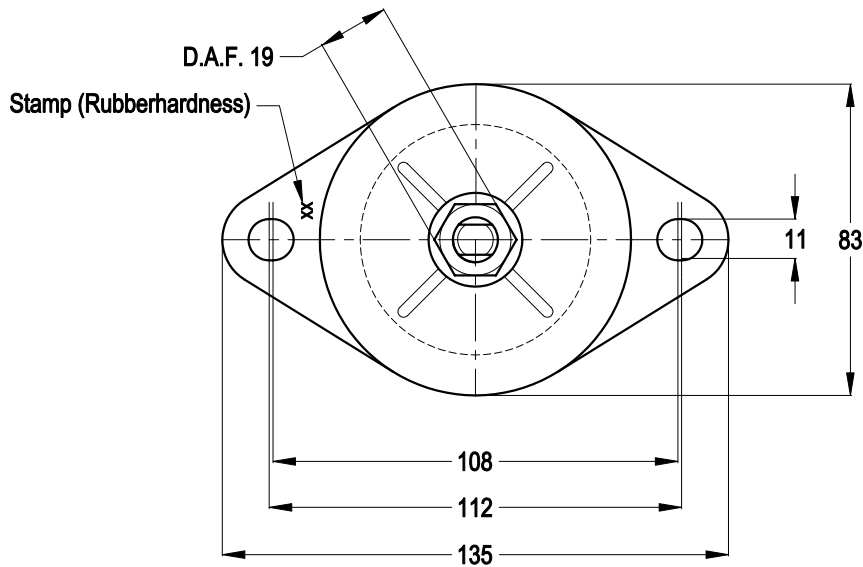


# SIDEVIEW



# TOPVIEW



		MATERIAL: METAL/RUBBER		NR. 1	REMARKS: -		
		TITLE: H.A. Top Mounting			OVER. TOL. ± 0.5	ANGULARITY ± 0.5	ROUGHNESS 3.2 ✓
1		-		TYPE: 100231 serie			
REV.	DATE	REMARKS					
SCALE: N.A.		DIMENSIONS IN MM.		PROJECTION:		FORMAT: A4	
DRW.	M.S.	DATE 12/04/12		DRAWING NR. 100231		REV. 0	
CHK.	H.K.	DATE 12/04/12					
<b>MOTORSTEUNEN.NL</b>				<b>ENGINEMOUNTS.NL</b>			

ALL RIGHTS STRICTLY PRESERVED.  
REPRODUCTION OR ISSUE TO THIRD PARTIES  
IS NOT PERMITTED WITHOUT WRITTEN  
AUTHORITY OF GUMETA TECHNIEK B.V.