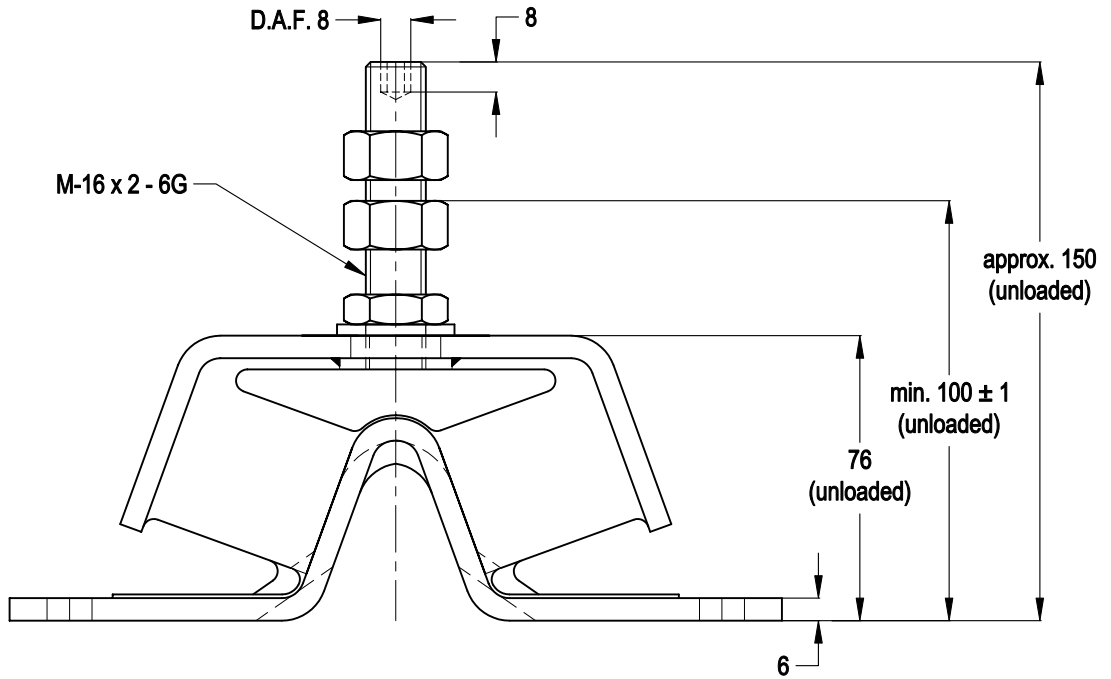
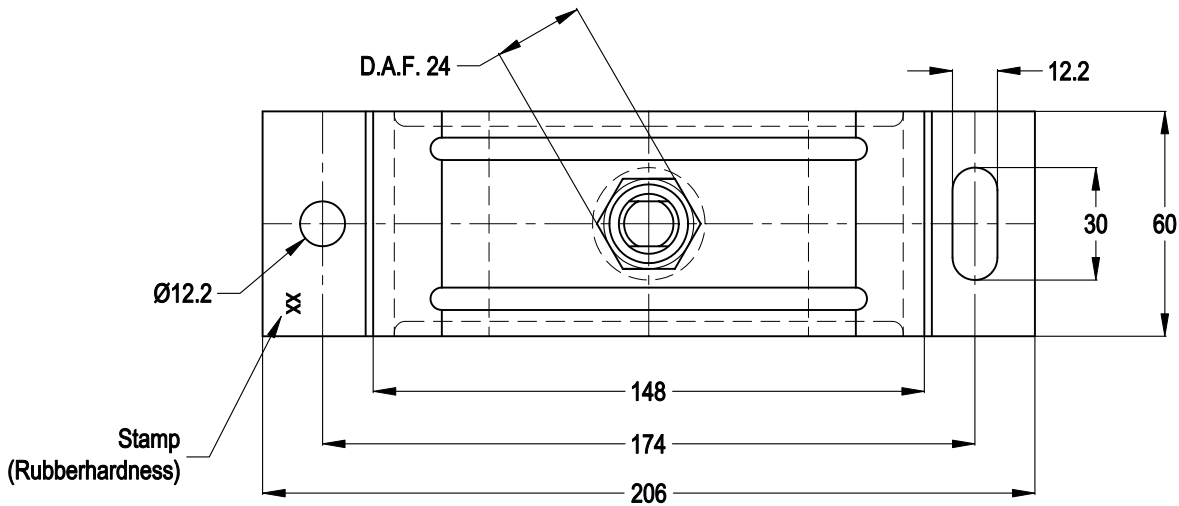


# SIDEVIEW



# TOPVIEW



			MATERIAL: METAL/RUBBER	NR. 1	REMARKS: -
			TITLE: <b>H.A. YM Marine Engine Mounting</b>	OVER. TOL. ± 0.5	ANGULARITY ± 0.5
			TYPE: <b>100150 serie</b>	ROUGHNESS 3.2 ✓	ALL RIGHTS STRICTLY PRESERVED. REPRODUCTION OR ISSUE TO THIRD PARTIES IS NOT PERMITTED WITHOUT WRITTEN AUTHORITY OF GUMETA TECHNIEK B.V.
1	24/09/2013	stud size			
REV.	DATE	REMARKS			
SCALE: N.A.	DIMENSIONS IN MM.		<b>MOTORSTEUNEN.NL</b> <b>ENGINEMOUNTS.NL</b>		PROJECTION: 
DRW. M.S.	DATE 06/02/12				DRAWING NR. 100150
CHK. H.K.	DATE 06/02/12				REV. 1