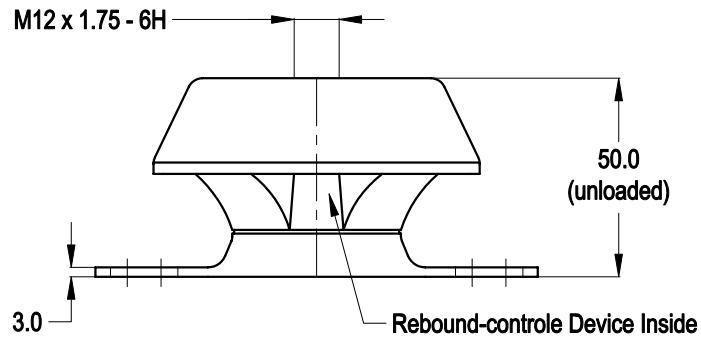
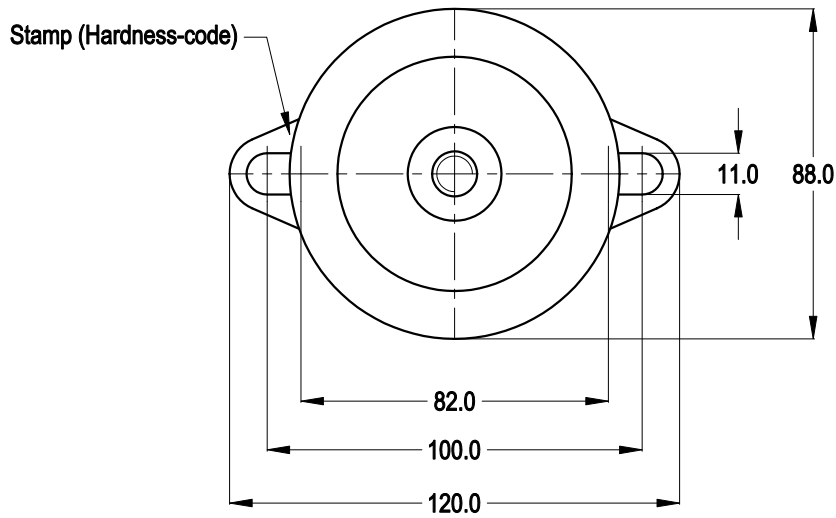


SIDEVIEW



TOPVIEW



| | | | | | | | | |
|-------------|------|----------------------------------|--|--|---------------|---|---------------------|--------------------|
| | | MATERIAL: METAL/RUBBER | | NR. 1 | REMARKS: - | | | |
| | | TITLE: Engine Mounting | | | | OVER. TOL. ± 0.5 | ANGULARITY ± 0.5 | ROUGHNESS 3.2 ✓ |
| | | TYPE: 100130 serie | | | | ALL RIGHTS STRICTLY PRESERVED. REPRODUCTION OR ISSUE TO THIRD PARTIES IS NOT PERMITTED WITHOUT WRITTEN AUTHORITY OF GUMETA TECHNIEK B.V. | | |
| 1 | | - | | | | | | |
| REV. | DATE | REMARKS | | | | | | |
| SCALE: N.A. | | DIMENSIONS IN MM. | | MOTORSTEUNEN.NL ENGINEMOUNTS.NL | | PROJECTION: | | FORMAT: A4 |
| DRW. | M.S. | DATE 06/02/12 | | | | DRAWING NR. 100130 | | REV. 0 |
| CHK. | H.K. | DATE 06/02/12 | | | | | | |