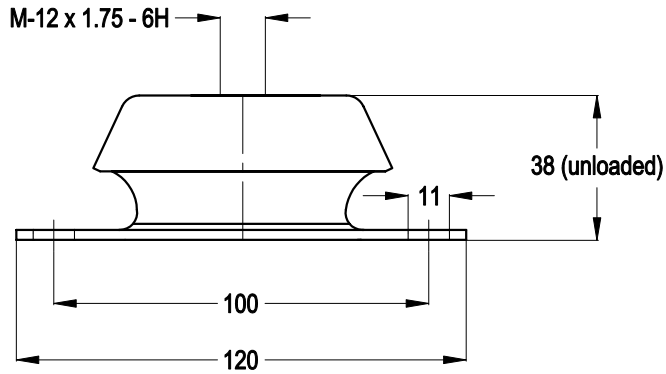
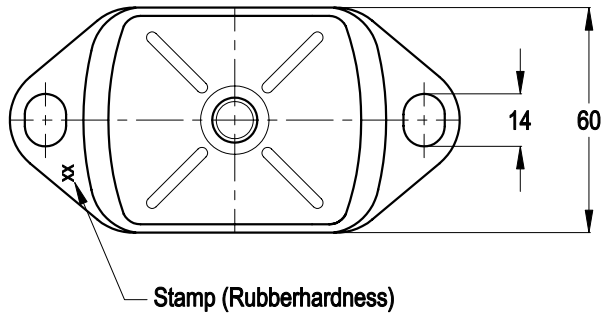


SIDEVIEW



TOPVIEW



		MATERIAL: METAL/RUBBER		NR. 1	REMARKS: -			
		TITLE: Stainless Steel Engine Mounting			OVER. TOL. ± 0.5	ANGULARITY ± 0.5	ROUGHNESS 3.2 ✓	
1		TYPE: 100018 serie			ALL RIGHTS STRICTLY PRESERVED. REPRODUCTION OR ISSUE TO THIRD PARTIES IS NOT PERMITTED WITHOUT WRITTEN AUTHORITY OF GUMETA TECHNIEK B.V.			
REV.	DATE	REMARKS						
SCALE: N.A.		DIMENSIONS IN MM.		MOTORSTEUNEN.NL ENGINEMOUNTS.NL		PROJECTION: 		FORMAT: A4
DRW.	M.S.	DATE	06/02/12			DRAWING NR. 100018		REV. 0
CHK.	H.K.	DATE	06/02/12					