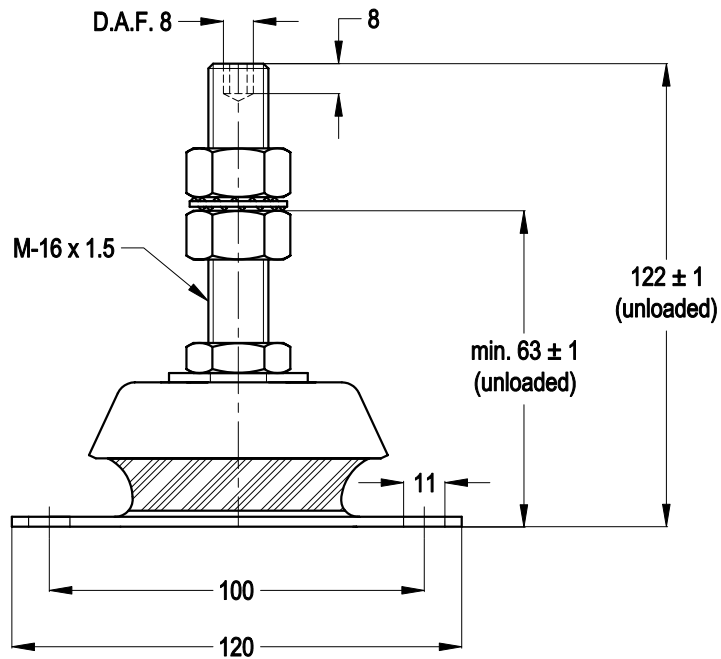
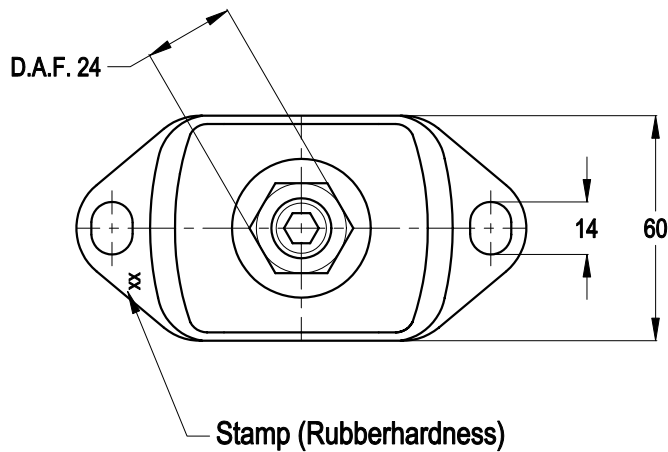


SIDEVIEW



TOPVIEW



		MATERIAL: METAL/RUBBER		NR. 1	REMARKS: -			
		TITLE: H.A. Marine Engine Mounting			OVER. TOL. ± 0.5	ANGULARITY ± 0.5	ROUGHNESS 3.2 ✓	
		TYPE: 100012 serie			ALL RIGHTS STRICTLY PRESERVED. REPRODUCTION OR ISSUE TO THIRD PARTIES IS NOT PERMITTED WITHOUT WRITTEN AUTHORITY OF GUMETA TECHNIEK B.V.			
1		-						
REV.	DATE	REMARKS						
SCALE: N.A.		DIMENSIONS IN MM.		MOTORSTEUNEN.NL		PROJECTION: 		FORMAT: A4
DRW.	M.S.	DATE 06/02/12				ENGINEMOUNTS.NL		DRAWING NR. 100012
CHK.	H.K.	DATE 06/02/12						